

**GENERAL FEATURES**

- Suitable for non-aggressive liquids (water, light oil (2E) etc...), gaseous fluids (air, inert gases etc...)
- Working Temperature : -10°C / +80°C
- Not suitable for use with dangerous fluids listed in Group 1
- **Minimum operating pressure differential 0,5 bar**
- High reliability, quality and performance; long life, corrosion resistance
- Wide pressure ratings, range of flow rate and orifice options
- Ideal for the automatic control of media in a wide range of applications.
- TORK solenoid valves satisfy relevant 97/23/EC, Pressure Equipment Directive (PED) and 2006/95/EEC Low Voltage Directive (LVD).
- Coils interchangeable
- Flow factor Kv of each valve is indicated, so that the flow Q can be calculated as a function of pressure
- Solenoid valves must be used with filtered fluids.
- Solenoid valve can be mounted in any position without affecting operation; vertical with coil upwards preferred.
- Standard pipe connection is G (BSP) (ISO 228-1) and on request; other pipe connections are available (NPT (ANSI 1.20.3))

**ELECTRICAL CHARACTERISTICS**

- Continuous Duty : ED %100  
 Coil Insulation Class : H (180°C)  
 Coil Impregnation : Polyester Fiber Glass  
 Coil Encapsulation Material : Fiber Glass Reinforced  
 Ambient Temperature : from -10°C; +60°C  
 Protection Degree : IP 65 (EN 60529) with coil duly fitted with the plug connector  
 Electric Plug Connection : DIN 46340 3-poles connectors (DIN 43650)  
 Connector Specification : ISO 4400 / EN 175301-803, Form A, Spade plug (Cable Ø 6-8 mm)  
 Electrical Safety : IEC 335  
 Standard Voltages : For AC 12V, 24V, 48V, 110V, 230V  
 For DC 12V, 24V, 48V, 110 V

- Other voltages on request;  
 Voltage Tolerances : For AC -15%; +10%, For DC -5%; +10%  
 Frequency : 50 Hz, other frequencies on request; (60 Hz)  
 On request; connector with LED  
 Specify coil voltage with order

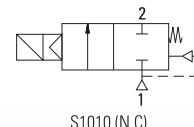
**MATERIALS IN CONTACT WITH FLUID**

- Body : Brass  
 Internal Parts : Stainless Steel and brass  
 Sealing : NBR  
 Shading Ring : Copper  
 Seats : Brass  
 Core Tube : Stainless Steel  
 Springs : Stainless Steel  
 On request; nickel plated body  
 On request; sealing can be FPM (VITON),EPDM

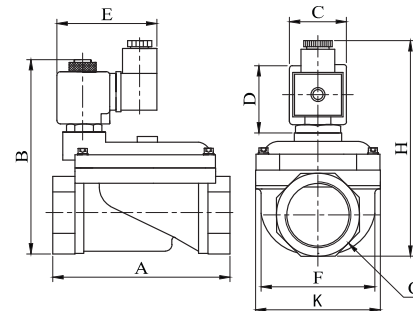
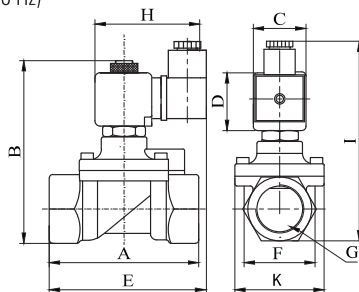
**TECHNICAL FEATURES**

- Max Viscosity : 5°E (~37cSt or mm2/s)  
 Response Time : Opening Time : 400 ms to ~ 1600 ms,  
 Closing Time : 1000 ms to ~ 2000 ms  
 Maximum Allowable Pressure : 25 bar  
 Fluid Temperature for FPM (VITON) from -10°C; +160°C, for EPDM from -10°C; +140°C

**Normally Closed**



S1010 (N.C)



Dimensions (mm)

G	A	B	C	D	E	F	K	H	I
3/8"	75	97	32	45	91.3	37.5	52	76	108
1/2"	79	100	32	45	92	39.5	52	76	110
3/4"	79	107.5	32	45	94	41.5	52	76	118
1"	85	115	32	45	101	42.5	52	76	124

Dimensions (mm)

G	A	B	C	D	E	F	K	H
11/4"	141	143	32	45	76	96.5	110.7	156
11/2"	139	143	32	45	76	96.5	110.7	156
2"	145.6	153	32	45	76	96.5	110.7	165.5

Valve Type / Order no	New Valve Type / Order no	Connection Size	Orifice size	Pressure		KV	Fluid Temperature		Seal	Weight
				min	max		min	max		
T-GP	S1010	G	mm	bar	bar	lt/min	min	max		(kg)
T-GP 102	S1010.02	3/8"	12.5	0.5	16	48	-10	80	NBR	0.68
T-GP 103	S1010.03	1/2"	14.5	0.5	16	70	-10	80	NBR	0.71
T-GP 104	S1010.04	3/4"	17	0.5	16	85	-10	80	NBR	0.8
T-GP 105	S1010.05	1"	17	0.5	16	90	-10	80	NBR	0.97
T-GP 106	S1010.06	11/4"	46	0.5	12	390	-10	80	NBR	2.65
T-GP 107	S1010.07	11/2"	46	0.5	12	460	-10	80	NBR	2.55
T-GP 108	S1010.08	2"	46	0.5	12	580	-10	80	NBR	2.98

**Useful Informations**

1 bar : 14,5 PSI : 10 mH<sub>2</sub>O : 10 N/cm<sup>2</sup> : 1 kg/cm<sup>2</sup> : 100000 Pa, 1 PSI : 69 mbar, 1 m<sup>3</sup>/h : 4,405 GPM : 16,7 L/d 1 Gallon / minute : 0,227 m<sup>3</sup>/h, 0°C : 89,6 F  
 Sealings: NBR : Nitrile-Butylene Elastomer, FPM (VITON) : Fluoro-Carbon Elastomer, EPDM : Ethylene-Propylene Elastomer